



FOSAM

EPTA

PARTITION

ΣΡΤΑ
solid
partitions





EPTA STEEL

Epta Walls Are Modular

Each module is independent and can be assembled or disassembled independently.

Basic Modules

Width

500mm, 1000mm, 1200mm

Heights

2178mm or 2594mm

Metal panels are painted using RAL color range and all paint used is non-toxic.

The panels can also be made in Skinplate or Stainless Steel

Reaction to fire

Painted steel sheet

Class 0

Reaction to fire

Skinplate sheet

Class 1

Acoustic insulation

up to 52,4 dB

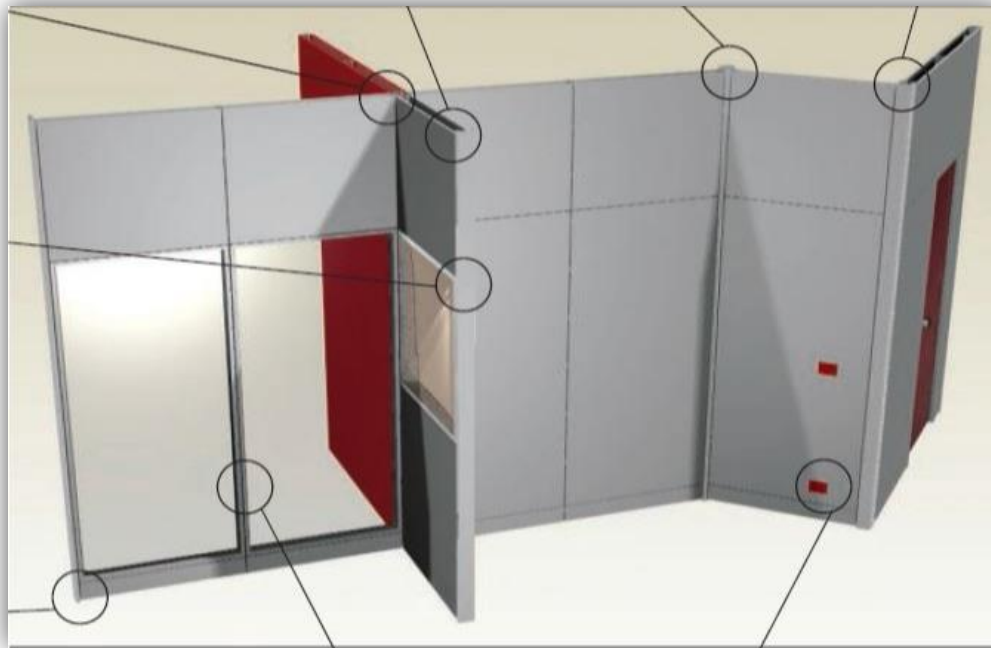
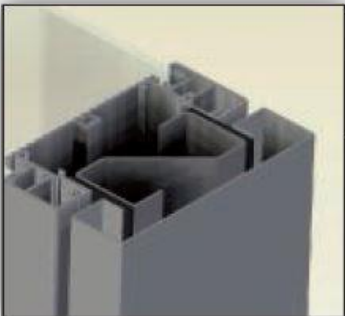
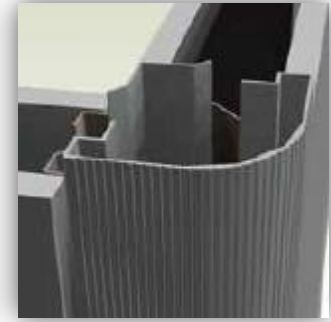
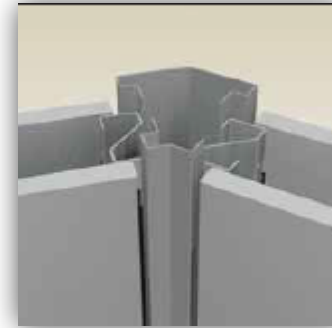
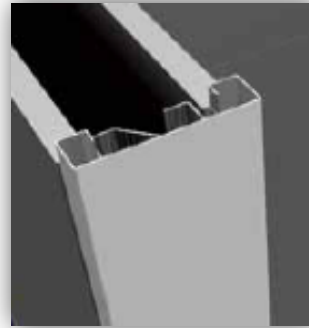
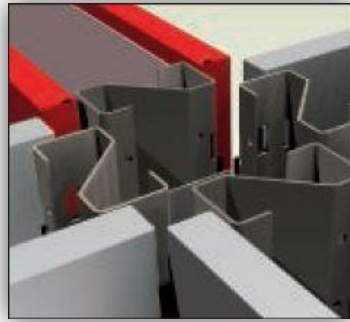


TECHNICAL DETAILS

Structure Depth: 64mm

Solid Panel: 18mm thick

Wall Total depth: 100mm















ΣΡΤΑ
medical
partitions





EPTA MEDICAL PARTITIONS

A detailed wall and doors range to be used within the Hospital field, in particular for the realization of Operating Rooms, Dialysis Centers, Intensive Care Units, Laboratories and all those environments where walls have to be sanitized and treated constantly and at the same time must guarantee a technological and functional division of space.

The wall is made of metal while structure and panels are made of electrogalvanized or stainless steel. The wall has a sandwich structure with external metallic panels and an internal insulation layer. The connection between the wall and the floor is studied and realized with a system that warrants solidity and easy to be disassembled avoiding at the same time sharp edges difficult to clean.

Proper gasket and panel's special shape allows the system to be completely sealed.



Medical Epta walls can be equipped with the radiant system that will ensure a high level of wellness. The integration with the air change system within the Operating Rooms allows the preservation of the vertical fluxes and a temperature level slightly lower than room temperature avoiding the mixing of room air with the air coming from absolute filters, to warrant the operating theatre to have the highest aseptic value.



Fosam manufactures also doors for Operating Rooms: wing, sliding, automatic, manual, airtight, hermetically sealed, screened, flush glass window.

The partition wall holes are executed during production cycle.

Installation is very quick using an embedding construction system. It is complementary with all Epta partition walls.











